

# UNDERDRAIN ASSEMBLIES



## WATER'S EDGE™ CUSTOM FABRICATED HEADERS FOR STEEL TANKS

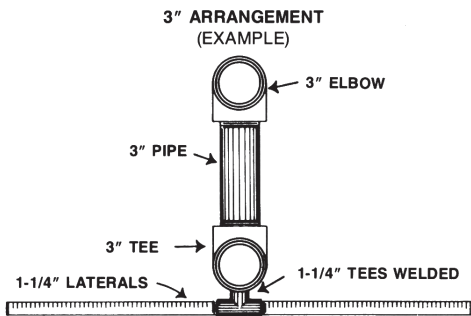


SWT's **Water's Edge Header Systems** are custom fabricated from non-corrosive FDA and NSF approved materials. For use in softeners, carbon filters, multimedia filters, and waste water applications, they are available for tanks from 48 to 120 inches in diameter and are optimized for your application—whether you need 3.5 or 20 gpm/sq.ft.

Water's Edge Header Systems are available in a variety of materials and are resistant to brine, acids, caustics, oxidizing agents, and chlorine. They are designed to spread flow evenly across the filter bed to eliminate dead zones and to provide proper and even lift and separation during backwash.

### Technical Specifications:

- Max. Recommended Operating Temperature . . . . . 140°F (60°C)
- Max. Recommended Operating Pressure . . . . . 150 psi
- ΔP @ 5 ft/sec Velocity . . . . . ≤ 3 psi
- Materials of Construction (Standard) . . . . . PVC, Buna-N
- Materials of Construction (Available) . . . . . CPVC, PP, PVDF, HDPE, etc.
- Slot Width (Standard) . . . . . 0.010 inch (0.254 mm)
- Slot Width (Available) . . . . . 0.008, 0.012, 0.016, 0.020, 0.032, 0.125 inch, and larger



Model Number	Tank Diameter	Pipe Size
SM-HS483	48 inch	3 inch
SM-HS543	54 inch	3 inch
SM-HS544	54 inch	4 inch
SM-HS603	60 inch	3 inch
SM-HS604	60 inch	4 inch
SM-HS663	66 inch	3 inch
SM-HS664	66 inch	4 inch
SM-HS724	72 inch	4 inch
SM-HS726	72 inch	6 inch
SM-HS844	84 inch	4 inch
SM-HS846	84 inch	6 inch
SM-HS964	96 inch	4 inch
SM-HS966	96 inch	6 inch
SM-HS1084	108 inch	4 inch
SM-HS1086	108 inch	6 inch
SM-HS1204	120 inch	4 inch
SM-HS1206	120 inch	6 inch

Custom sizes, configurations, and materials are our specialty. Contact SWT with your requirements.